

# CLARK®

## air



## 30 INCH DRUM FAN

MODEL NO: CAM6000

PART NO: 3231555

## OPERATION & MAINTENANCE INSTRUCTIONS



GC1118 - ISS 5

---

## INTRODUCTION

---

Thank you for purchasing this CLARKE 30 inch Drum Fan.

Before attempting to use this product, please read this manual thoroughly and follow the instructions carefully. In doing so you will ensure the safety of yourself and that of others around you, and you can look forward to your purchase giving you long and satisfactory service.

---

## GUARANTEE

---

This product is guaranteed against faulty manufacture for a period of 12 months from the date of purchase. Please keep your receipt which will be required as proof of purchase.

This guarantee is invalid if the product is found to have been abused or tampered with in any way, or not used for the purpose for which it was intended.

Faulty goods should be returned to their place of purchase, no product can be returned to us without prior permission.

This guarantee does not effect your statutory rights.

---

## ENVIRONMENTAL RECYCLING POLICY

---



Through purchase of this product, the customer is taking on the obligation to deal with the WEEE in accordance with the WEEE regulations in relation to the treatment, recycling & recovery and environmentally sound disposal of the WEEE.

In effect, this means that this product must not be disposed of with general household waste. It must be disposed of according to the laws governing Waste Electrical and Electronic Equipment (WEEE) at a recognised disposal facility.

If disposing of this product or any damaged components, do not dispose of with general waste. This product contains valuable raw materials. Metal products should be taken to your local civic amenity site for recycling of metal products.

## ELECTRICAL CONNECTIONS



**WARNING! Read these electrical safety instructions thoroughly before connecting the product to the mains supply.**

Before switching the product on, make sure that the voltage of your electricity supply is the same as that indicated on the rating plate. This product is designed to operate on 230VAC 50Hz. Connecting it to any other power source may cause damage.


This product may be fitted with a non-rewireable plug. If it is necessary to change the fuse in the plug, the fuse cover must be refitted. If the fuse cover becomes lost or damaged, the plug must not be used until a suitable replacement is obtained.

If the plug has to be changed because it is not suitable for your socket, or due to damage, it should be cut off and a replacement fitted, following the wiring instructions shown below. The old plug must be disposed of safely, as insertion into a mains socket could cause an electrical hazard.

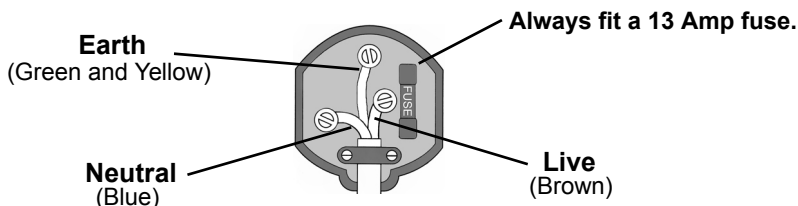


**WARNING! The wires in the power cable of this product are coloured in accordance with the following code:  
Blue = Neutral    Brown = Live    Yellow and Green = Earth**

If the colours of the wires in the power cable of this product do not correspond with the markings on the terminals of your plug, proceed as follows.

- The **Blue** wire must be connected to the terminal marked **N** or coloured **Black**.
- The **Brown** wire must be connected to the terminal marked **L** or coloured **Red**.
- The **Yellow and Green** wire must be connected to the terminal marked **E** or  or coloured **Green**.

**Plug must be BS1363/A approved.**



**Ensure that the outer sheath of the cable is firmly held by the clamp**

We strongly recommend that this machine is connected to the mains supply via a Residual Current Device (RCD)

If in any doubt, consult a qualified electrician. DO NOT attempt any repairs yourself.

---

## SAFETY PRECAUTIONS

---

- DO NOT use in dusty environments.
- Indoor use only.
- DO NOT use in environments with high fumes from chemicals etc.
- DO NOT use as an extractor fan.
- DO NOT use in areas of high humidity/water vapour, e.g. bathrooms.
- DO NOT connect fan to a ducting system.
- DO NOT cover the fan with any material that will restrict free airflow.
- Never touch the blades with your hand or any other object.

---

## CONTENTS

---

Before commencing assembly, check for damage and or shortages etc, any damage or shortage should be reported to your Clarke dealer where the fan was originally purchased.

	1 x Fan Assembly	2 x Rubber Feet With Mounting Brackets
	2 x Moulded Wheels	1 x Handle

---

## ASSEMBLY & OPERATION

---

Some assembly is required before using the fan. Refer to parts diagram on p6.

1. Fit handle (item 13) to the fan housing (item 11) using 2 x screws (item 12).
2. Fit both wheels (item 22) to the frame using 2 x shoulder screws (item 20) and washers (item 21).
3. Fit feet brackets x 2, (item 26) using 4 x screws (item 27) and 4x washers (item 28).
4. Fit both feet (item 25) onto the brackets using 2 x screws (item 27) and 2x washers (item 28).
5. Plug in and switch on; adjust the fan speed to suit.

### TILTING THE FAN

You can adjust the angle of the fan by holding the base and grill and tilting the fan to the required angle.

## ADJUSTING THE SPEED



**WARNING: NEVER OPERATE THE FAN WITH EITHER FRONT OR REAR GRILLS REMOVED.**

Plug in the power cable to an appropriate power outlet and select the desired speed using the selector switch 0/1/2/3.

0	Off
1	Low speed
2	Medium speed
3	High speed

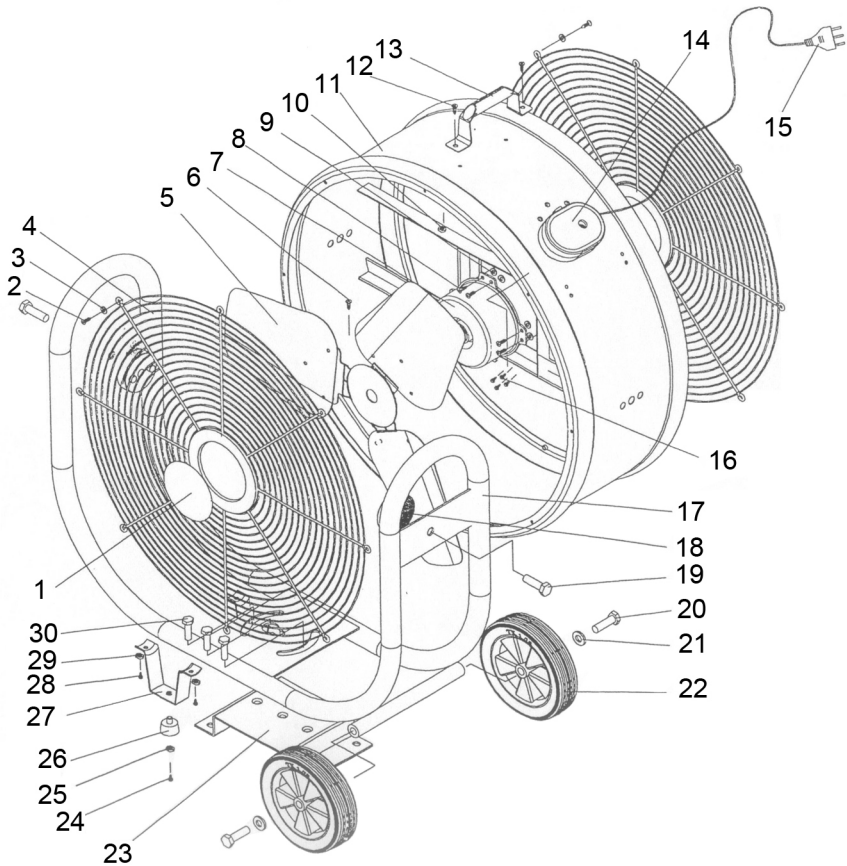
## MAINTENANCE

- Always observe the safety precautions and remove the plug from the power outlet before cleaning.
- Use a moist cloth and if required, a mild detergent to clean the surfaces of the fan. Do not use solvents or thinners.
- The motor bearings are permanently sealed and do not require any additional lubrication.
- Store the fan in a cool and dry place.
- Spare parts may be ordered with the prefix OT6000/number on p6.

## SPECIFICATIONS

Voltage:	230 VAC (50Hz)	
Wattage:	350 W	
Fan Speeds	Setting 1	670 RPM
	Setting 2	820 RPM
	Setting 3	935 RPM
Dimensions (D x W x H):	900 x 330 x 990 mm	
Weight:	27.5 kg	
Thermal Cut-out	Yes	
IP (ingress protection)	IP20	
Duty Cycle Classification	S1 (continuous)	

# PART LIST AND DIAGRAM



No	DESCRIPTION	No	PART NUMBER	No	DESCRIPTION	No	PART NUMBER
1	Name Plate	9	Nut M6	17	Frame	25	Washer 5mm
2	Screw M16 x 12	10	Nut M6	18	Shock Absorber	26	Foot
3	Washer 6mm	11	Fan Housing	19	Bolt M12 x 36	27	Foot Holder
4	Front & Rear Grill	12	Screw M6 x 10	20	Bolt M12 x 70	28	Screw M6 x 12
5	Fan Blade	13	Handle	21	Washer 12mm	29	Washer 6mm
6	Screw M10 x 13	14	Switch Box	22	Wheel	30	Bolt
7	Motor	15	Cable & Plug	23	Base Plate		
8	Screw M10 x 13	16	Screw st4 x12	24	Screw M5 x 10		

# DECLARATION OF CONFORMITY



**Clarke**<sup>®</sup>  
**INTERNATIONAL**

Hemnoll Street, Epping, Essex CM16 4LG

## DECLARATION OF CONFORMITY

**This is an important document and should be retained.**

**We hereby declare that this product(s) complies with the following directive(s):**

2014/30/EU *Electromagnetic Compatibility Directive.*

2014/35/EU *Low Voltage Equipment Directive.*

2011/65/EU *Restriction of Hazardous substances.*

**The following standards have been applied to the product(s):**

*EN 61000-3-2:2014, EN 62233:2008, EN 55014-1:2017, EN 55014-2:2015, EN 61000-3-3:2013,*

*EN 60335-1:2012+A11:2014+A13:2017, EN 60335-2-80:2003+A1:2004+A2:2009.*

The technical documentation required to demonstrate that the product(s) meet(s) the requirement(s) of the aforementioned directive(s) has been compiled and is available for inspection by the relevant enforcement authorities.

The CE mark was first applied in: 2005

**Product Description:** 30" Drum Fan  
**Model number(s):** CAM6000  
**Serial / batch Number:** N/A  
**Date of Issue:** 15/11/2018

**Signed:**

  
.....  
**J.A. Clarke**  
Director

# A SELECTION FROM THE VAST RANGE OF

# Clarke®

## QUALITY PRODUCTS

### AIR COMPRESSORS

From DIY to industrial, Plus air tools, spray guns and accessories.

### GENERATORS

Prime duty or emergency standby for business, home and leisure.

### POWER WASHERS

Hot and cold, electric and engine driven - we have what you need

### WELDERS

Mig, Arc, Tig and Spot. From DIY to auto/industrial.

### METALWORKING

Drills, grinders and saws for DIY and professional use.

### WOODWORKING

Saws, sanders, lathes, mortisers and dust extraction.

### HYDRAULICS

Cranes, body repair kits, transmission jacks for all types of workshop use.

### WATER PUMPS

Submersible, electric and engine driven for DIY, agriculture and industry.

### POWERTOOLS

Angle grinders, cordless drill sets, saws and sanders.

### STARTERS/CHARGERS

All sizes for car and commercial use.



**PARTS & SERVICE: 0208 988 7400**

**E-mail: [Parts@clarkeinternational.com](mailto:Parts@clarkeinternational.com) or [Service@clarkeinternational.com](mailto:Service@clarkeinternational.com)**

**SALES: UK 01992 565333 or Export 00 44 (0)1992 565335**

**Clarke® INTERNATIONAL** Hemnall Street, Epping, Essex CM16 4LG  
[www.clarkeinternational.com](http://www.clarkeinternational.com)